

BUILDERS
ARCHITECTURAL HARDWARE

Product
Catalogue



FOSHAN BUILDERS HARDWARE CORPORATION LIMITED

Add: No.603,Building No.16 Zhifuyuan Industrial zone,Xingtang town,Shunde,Foshan,China

E-mail: savana@builders-hardware.com.cn

Web: www.builders-hardware.com.cn

Tel: 86-757-26362136



2023-2024



Mission:development is the key to solve

Vision:
Open every door
in the world!



Values:keep improving
work together,win-win



Contents

○ About Us

Company profile.....	02-03
company qualification.....	04-05

○ Equipment Exhibition

workshop.....	06-07
quality control.....	08-09

○ Product Classification

Lever handle.....	12-33
Long plate series.....	34-42
Pull handle.....	43-49
Flush pull.....	50-57
Hinge.....	58-61
Door stopper.....	62-65
House Number&Sign.....	66-69
Accesories.....	70-72

○ Color Chart

Color selection.....	73
----------------------	----

About Us



WITH REGARDS FROM BUILDERS
FOSHAN BUILDERS HARDWARE CORPORATION LTD developed from a China BlackSmith workshop to a modern enterprise, is now and OEM expert who has been concentrating on manufacturing global professional stainless steel architectural hardware solutions. We facilitated R&D, Solid Works design, rapid prototyping and fast sample production at attractive pricing.

Our range covers all architectural hardware and furniture fittings with materials SS201, SS202, SS304, SS316, finish varies from satin, polish, PVD, AB TO AC. With many years of manufacturing experience, Builders has gained a great reputation in this line by strict quality control based on En1935/En1906.

We are located in Shunde, Foshan city, Guangdong Province, which is an industrial center of Southern China. The infrastructure secures an efficient and rapid transport to our customers.

Profitable hardware solutions with Builders.

Welcome to BUILDERS!!





Company Qualification





CNC workshop
We have total 12 CNC machines, production capacity reach over 100,000sets per month



Machinery workshop
Auto pin-drilling machine, auto threading machine, bending machine, drilling machines, all helps to reduce the labour cost and get higher efficiency.



Punching workshop
Total 16 punching machines varies from 8tons till 100tons, 100% internal production with promising capacity.



Welding workshop
Auto pin-drilling machine, auto threading machine, bending machine, drilling machines, all helps to reduce the labour cost and get higher efficiency.



Brushing workshop
Environmental approved brushing machines, more than 10 years experienced brushers, 100% quality check on well brushed products.



Assembly workshop
Auto-running flow line, daily packing output 5000sets, promising capacity and no picky worker.



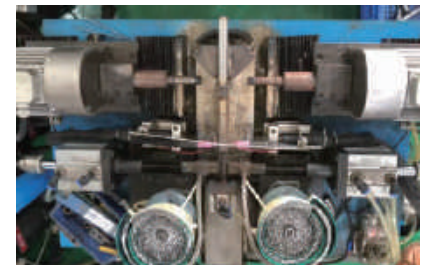
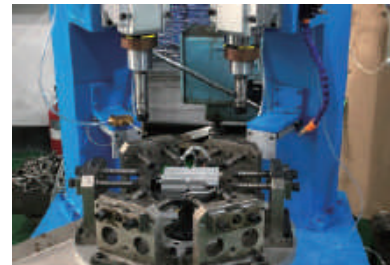
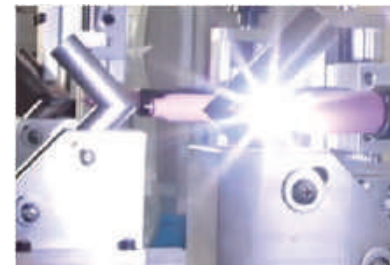
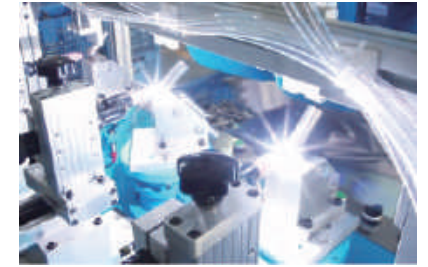
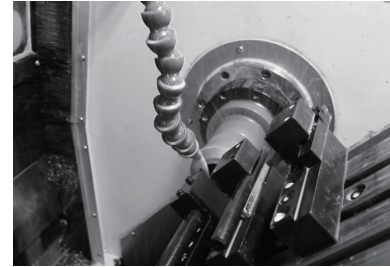
Warehouse
Better warehouse optimization. Faster picking and shipping. Lower labor costs.



Loading
During the loading process, it is necessary to pay attention to the safety and protection of the goods.

Equipment Exhibition

FB has invested in a lot of auto or semi-auto production machine, which helps to decrease the cost and increased the capacity.





New product control

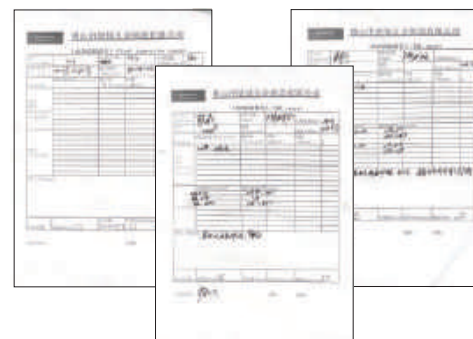
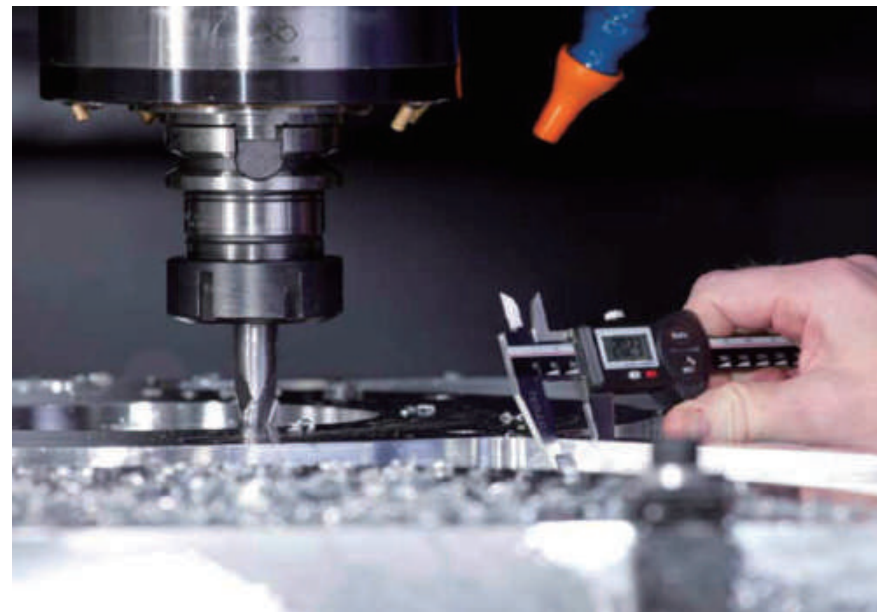


After setup tooling, first sample checked by VMS, tolerance upto 0.5 μ m.

After sample approved, mass production control by fixtures in different steps before packing.



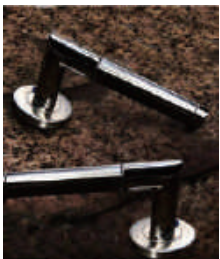
Quality control



Quality is the life of a company. FB has her own quality control system, from incoming material to online inspection and finished cargo inspection, all are 100% controlled.

Product Classification

12 
Lever
Handle




34 
Long
plate serie



43 
Pull
Handle




50 
Flush
pull




58 
Hinge



62 
Door
Stopper



66 
House
Number
&sign



70 
Accesories





DIY
your door handle by BUILDERS

3 in 1 series





Knurling Handle



Knurling handle
JK01



Knurling handle
JK02



Knurling handle
JK03



Knurling handle
JK04



Knurling handle
JK05



JA series
Acrylic handle



Acrylic Handle

Choose your own
colour by BUILDERS



ORB series



ORB Handle



JH128-ORB



JH142-ORB



JH155-ORB



JH028-ORB



JH032-ORB



T004+T005



JL004-ORB

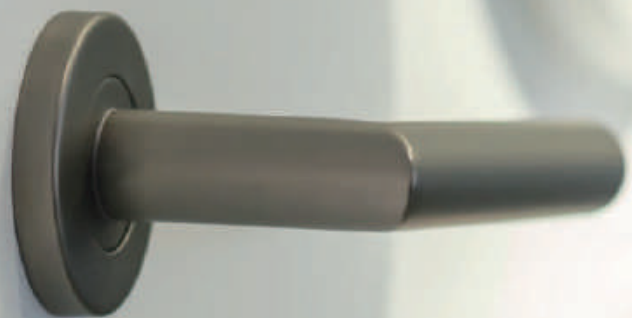


JL142-ORB



JL034-ORB

HOLLOW HANDLE



Lever Handle



Hollow handle
JH001
□bb ∩pz ⊖wc



Hollow handle
JH002
□bb ∩pz ⊖wc



Hollow handle
JH003
□bb ∩pz ⊖wc



Hollow handle
JH004
□bb ∩pz ⊖wc



Hollow handle
JH005
□bb ∩pz ⊖wc



Hollow handle
JH006
□bb ∩pz ⊖wc



Hollow handle
JH007
□bb ∩pz ⊖wc



Hollow handle
JH008
□bb ∩pz ⊖wc



Hollow handle
JH009
□bb ∩pz ⊖wc



Hollow handle
JH010
0bb 0pz 0wc



Hollow handle
JH011
0bb 0pz 0wc



Hollow handle
JH021
0bb 0pz 0wc



Hollow handle
JH022
0bb 0pz 0wc



Hollow handle
JH023
0bb 0pz 0wc



Hollow handle
JH024
0bb 0pz 0wc



Hollow handle
JH027
0bb 0pz 0wc



Hollow handle
JH029
0bb 0pz 0wc



Hollow handle
JH030
0bb 0pz 0wc



Hollow handle
JH034
0bb 0pz 0wc



Semi-hollow handle
JH012
0bb 0pz 0wc



Semi-hollow handle
JH013
0bb 0pz 0wc



Semi-hollow handle
JH014
0bb 0pz 0wc



Semi-hollow handle
JH015
0bb 0pz 0wc



Semi-hollow handle
JH016
0bb 0pz 0wc



Semi-hollow handle
JH017
0bb 0pz 0wc



Semi-hollow handle
JH018
0bb 0pz 0wc



Semi-hollow handle
JH019
0bb 0pz 0wc

Lever Handle



Semi-hollow handle
JH020
bb pz wc



Semi-hollow handle
JH054
bb pz wc



Semi-hollow handle
JH055
bb pz wc



Semi-hollow handle
JH101
bb pz wc



Semi-hollow handle
JH127
bb pz wc



Semi-hollow handle
JH142
bb pz wc



Semi-hollow handle
JH143
bb pz wc



Semi-hollow handle
JH040
bb pz wc



Semi-hollow handle
JH039
bb pz wc

Lever Handle



Semi-hollow handle
JH155
bb pz wc



Semi-hollow handle
JH156
bb pz wc



Semi-hollow handle
JH133
bb pz wc



Semi-hollow handle
JH158
bb pz wc



Semi-hollow handle
JH161
bb pz wc





Square cover handle
JQ031
0bb 0pz 0wc



Square cover handle
JQ033
0bb 0pz 0wc



Square cover handle
JQ034
0bb 0pz 0wc



Square cover handle
JQ036
0bb 0pz 0wc



Square cover handle
JQ037
0bb 0pz 0wc



Square cover handle
JQ038
0bb 0pz 0wc



Square cover handle
JQ104
0bb 0pz 0wc



Square cover handle
JQ144
0bb 0pz 0wc



Square cover handle
JQ049
0bb 0pz 0wc



Square cover handle
JQ160
0bb 0pz 0wc



Square cover handle
JQ220
0bb 0pz 0wc

Lever Handle



Oval cover handle
JO001
▫bb ▫pz ⊖wc



Oval cover handle
JO002
▫bb ▫pz ⊖wc



Oval cover handle
JO004
▫bb ▫pz ⊖wc



Oval cover handle
JO042
▫bb ▫pz ⊖wc



Oval cover handle
JO043
▫bb ▫pz ⊖wc



Oval cover handle
JO044
▫bb ▫pz ⊖wc



Oval cover handle
JO045
▫bb ▫pz ⊖wc



Oval cover handle
JO046
▫bb ▫pz ⊖wc

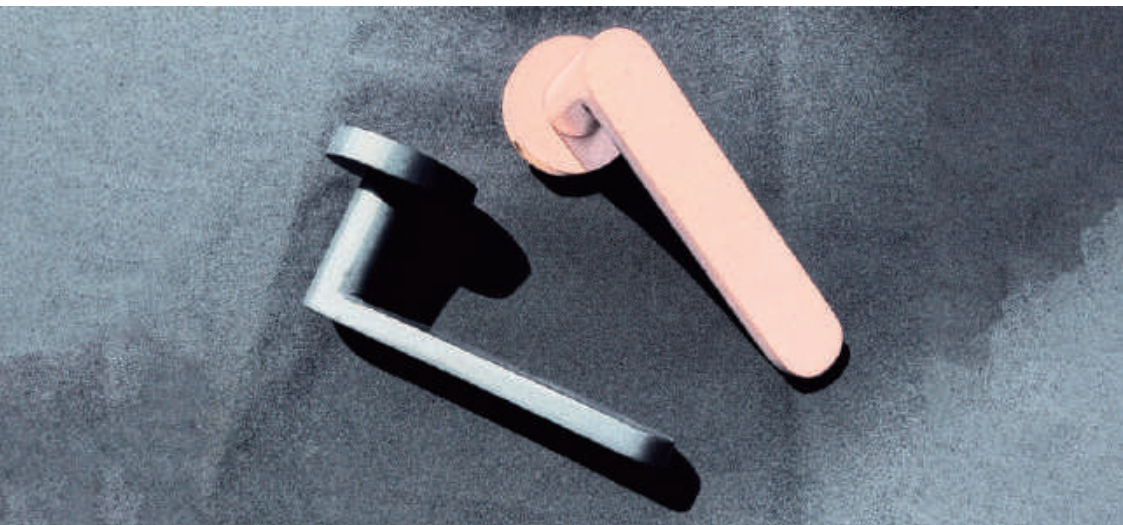


Oval cover handle
JO047
▫bb ▫pz ⊖wc



Oval cover handle
JO048
▫bb ▫pz ⊖wc

Lever Handle



solid handle
JS101
0bb 0pz 0wc



solid handle
JS102
0bb 0pz 0wc



solid handle
JS103
0bb 0pz 0wc



solid handle
JS104
0bb 0pz 0wc



solid handle
JS105
0bb 0pz 0wc



solid handle
JS106
0bb 0pz 0wc

Lever Handle



solid handle
JS107
0bb 0pz 0wc



solid handle
JS108
0bb 0pz 0wc



solid handle
JS109
0bb 0pz 0wc



solid handle
JS110
0bb 0pz 0wc



solid handle
JS111
0bb 0pz 0wc



solid handle
JS112
0bb 0pz 0wc



solid handle
JS113
0bb 0pz 0wc



solid handle
JS138
0bb 0pz 0wc



solid handle
JS159
0bb 0pz 0wc



JL-1035



JL-1004



JL-3004



JL-3035



JL-4004



JL-4011+4012



JL-7005



JL-5002



JL-2035



JL-2004+2012



JL-7001+7006



JL-6202

2.0 series



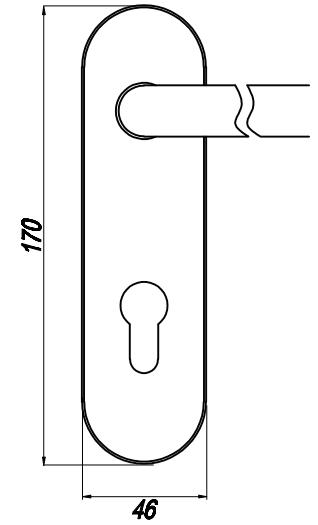
Security Plate



JL-8102



JL-8102G



JL-8202-PZ



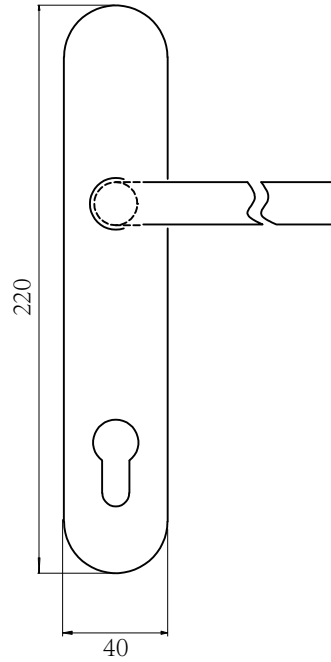
JL-8205



JL-8201



JL-8204



JL-8205



JL-8207



JL-8202-WC



JL-8207



JL-8204G



JL-8214



JL-8304



JL-8333G

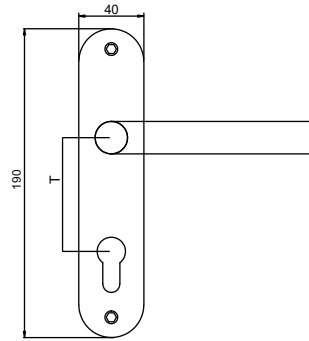


JL-8333

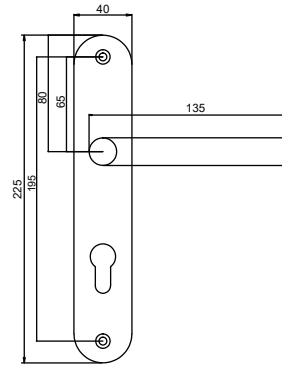
Security Plate



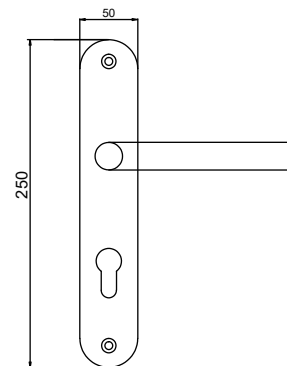
JL-8404



JL-8504



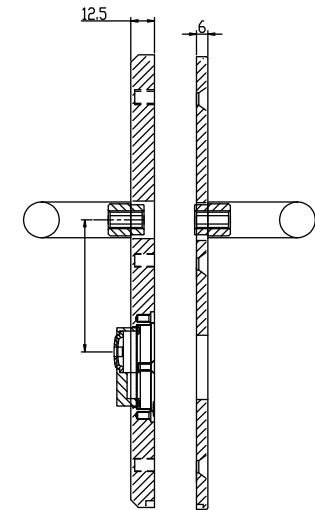
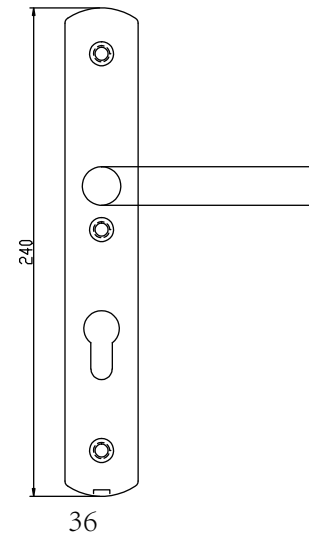
JL-8605



JL-8704



JL-8704G



Security Plate



JL-8805

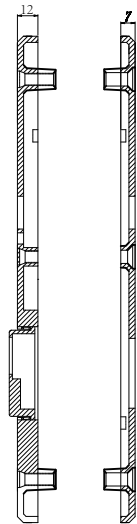
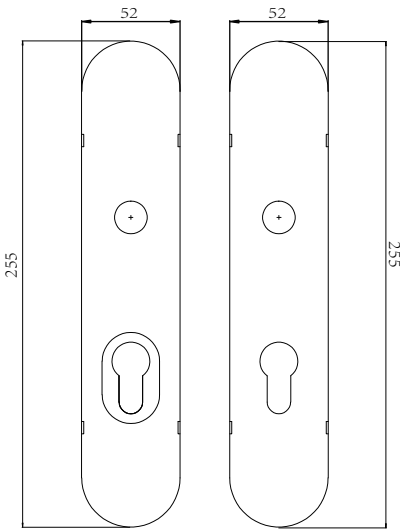
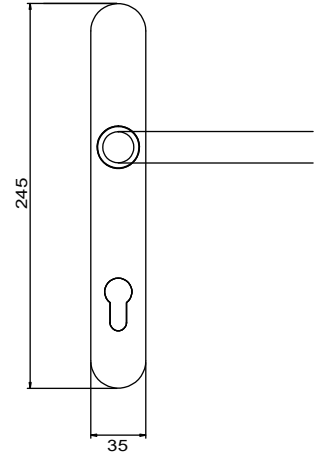


JL-8802

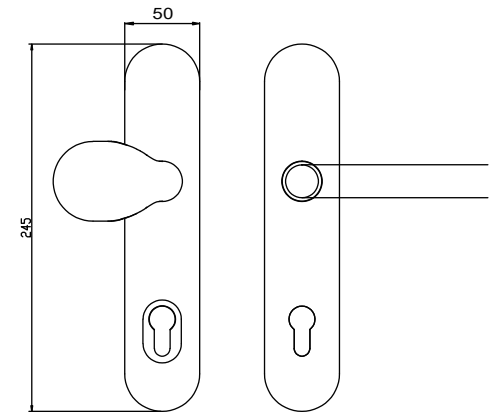


JL-8934

Security Plate



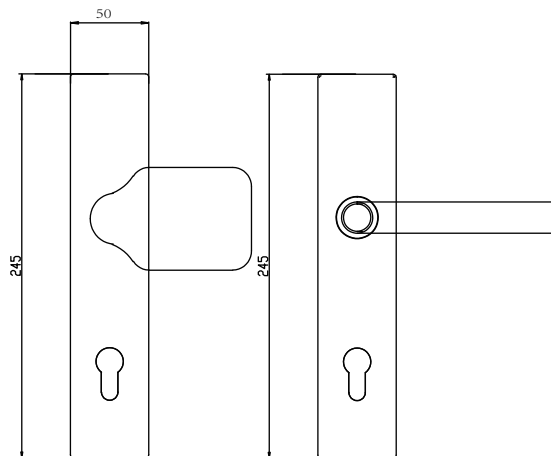
JL-9034G



Security Plate

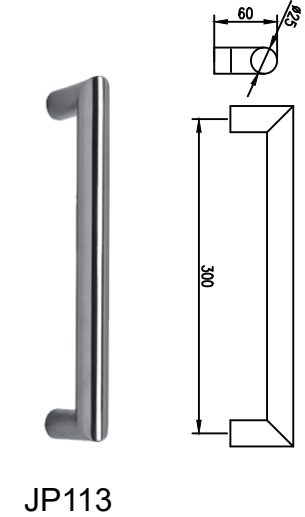
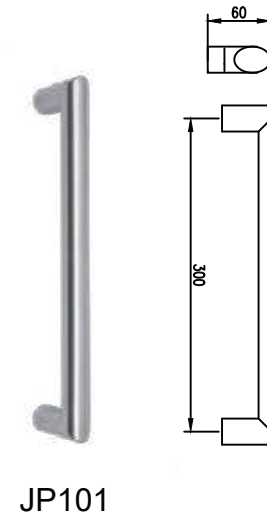
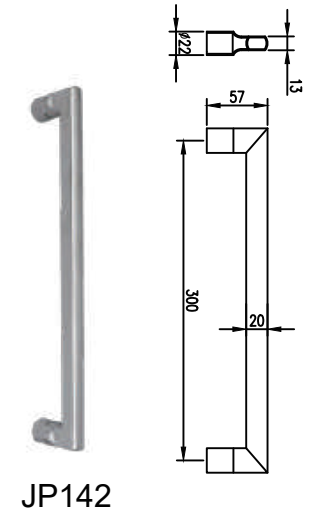
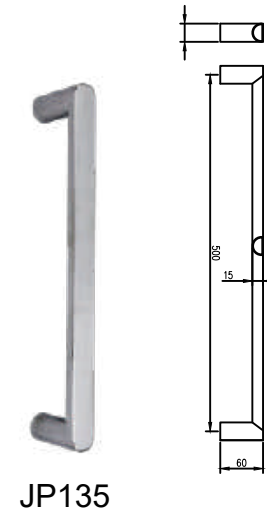
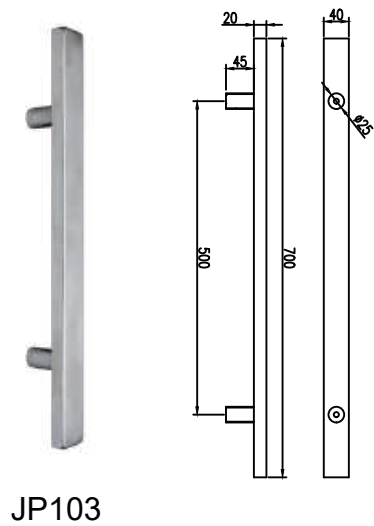
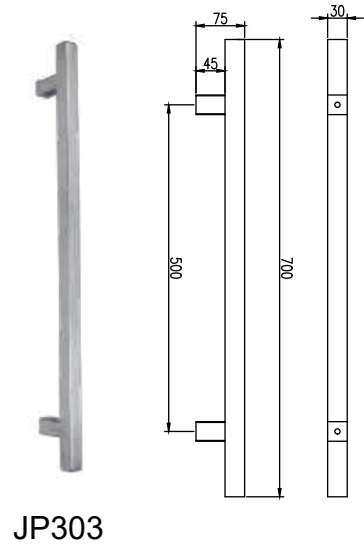
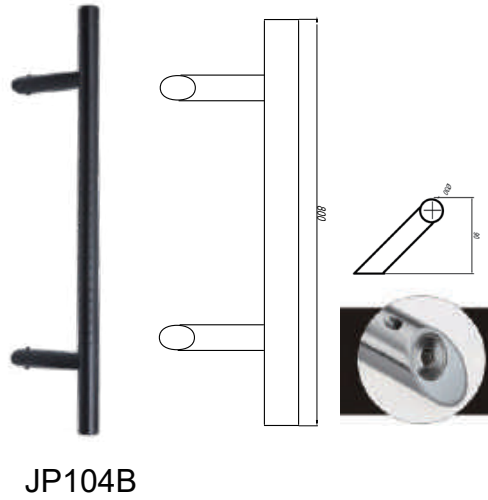
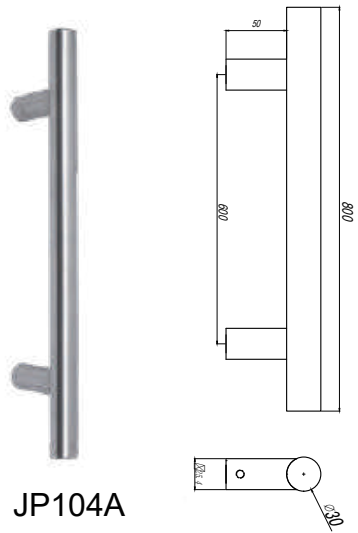


JL-9134G

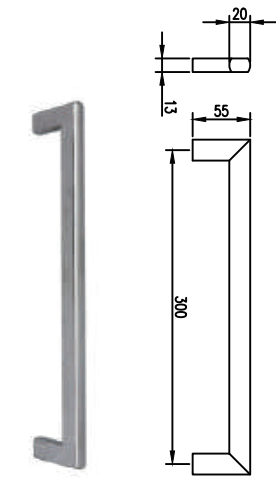


Ref.								
CTC	55/56	63	70	72	78	85/88	90	92

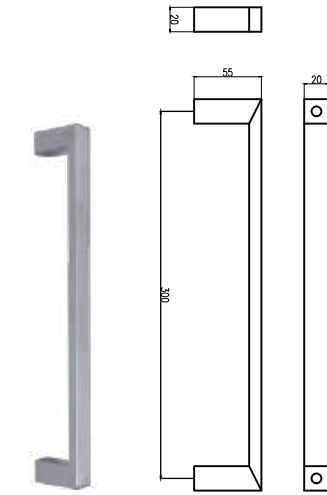
81--	170*46mm	87--	240*36mm
82--	220*40mm OVAL	88--	225*52mm
83--	220*40mm OBLONG	89--	245*35mm
84--	190*40mm	90--	245*50mm OVAL
85--	225*40mm	91--	245*50mm
86--	250*50mm		



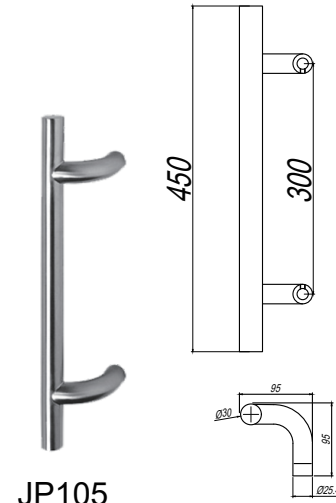
Pull Handle



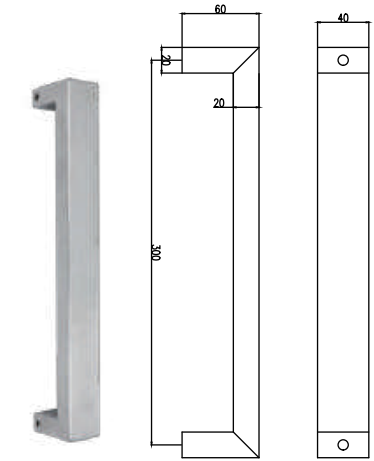
JP143



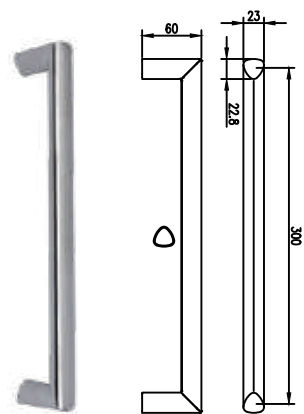
JP035



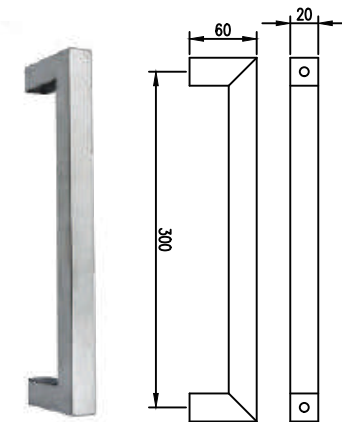
JP105



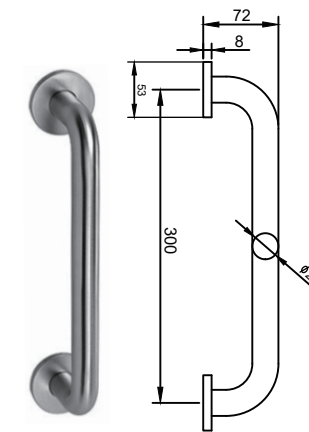
JP108



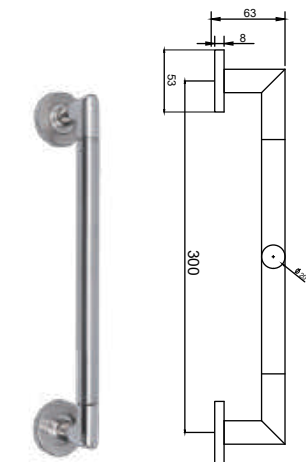
JP155



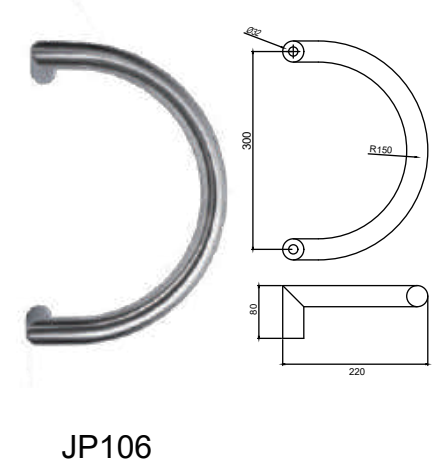
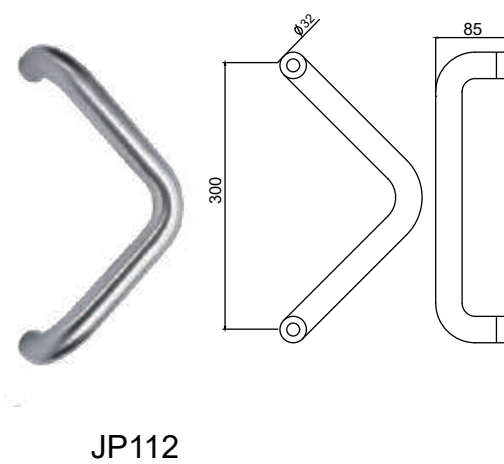
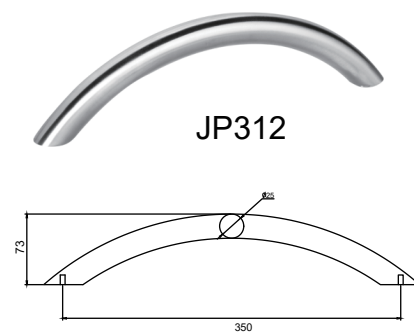
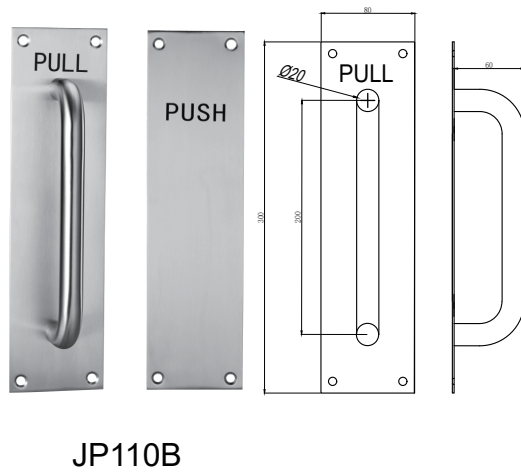
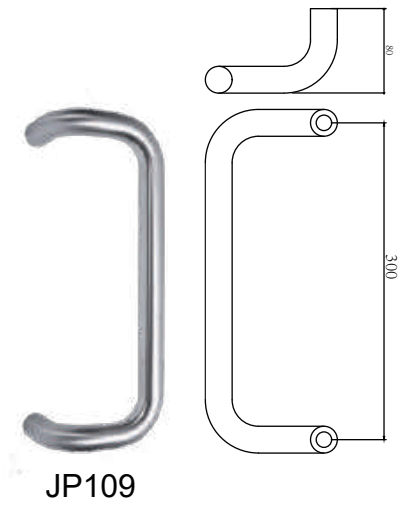
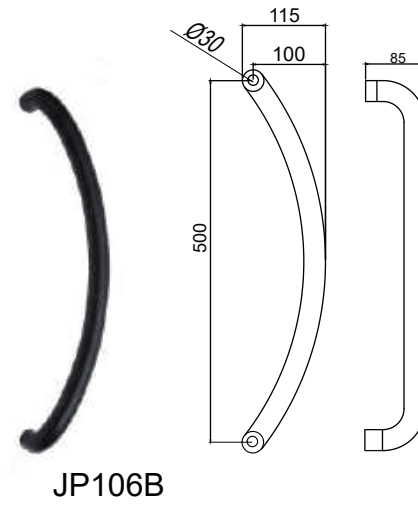
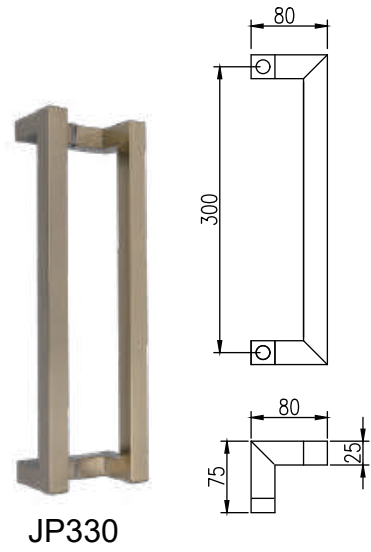
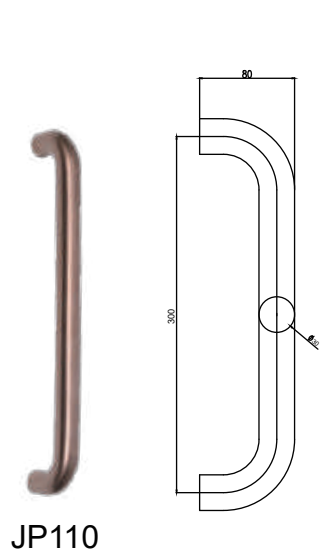
JP033

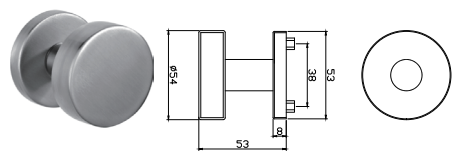
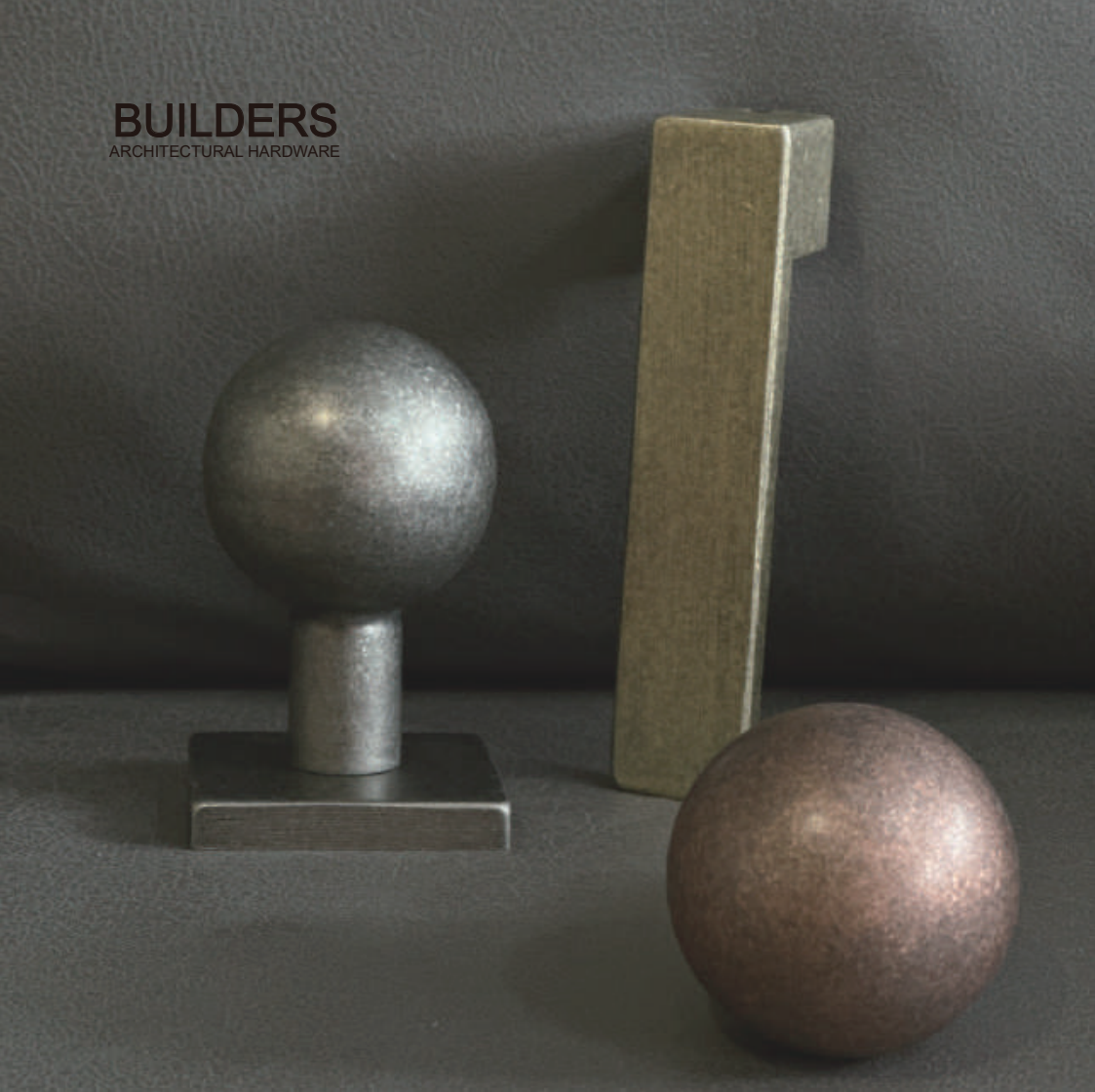


JP110C

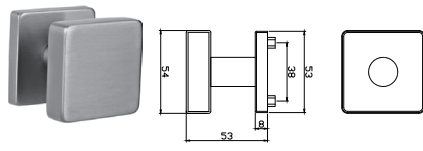


JP113C



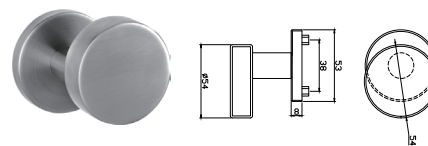


Knob handle
JH028

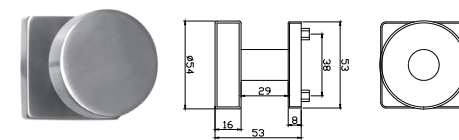


Knob handle
JH032

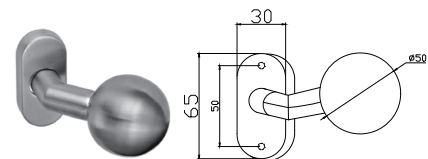
Knob Handle



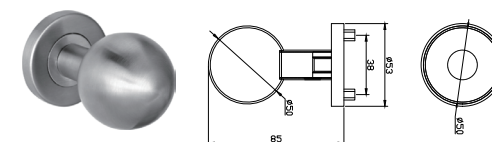
Knob handle
JH040



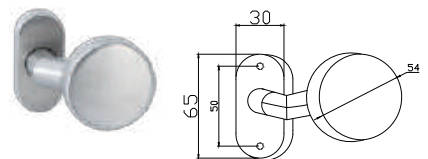
Knob handle
JH041



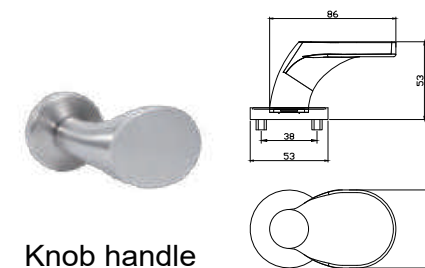
Knob handle
JH119



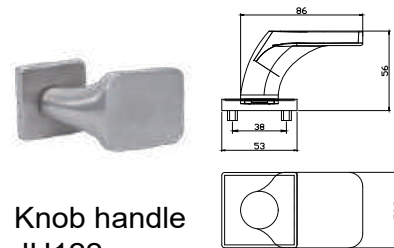
Knob handle
JH119B



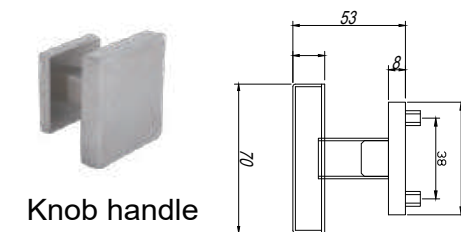
Knob handle
JH120



Knob handle
JH121



Knob handle
JH122



Knob handle
JH123



WC. rosette
T001+T006



WC. rosette
T004+T005



WC. rosette
T012+T010



WC. rosette
T012+T013



WC. rosette
T020+T021



WC. rosette
T022+T001



WC. rosette
T019+T024



WC. rosette
T023+T024



WC. rosette
T009+T010



WC. rosette
T011+T012



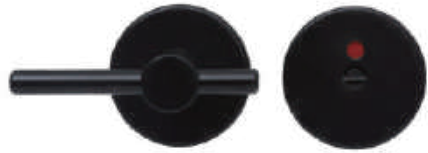
WC. rosette
T016+T017



WC. rosette
T025+T026

WC. Rosette

WC. Rosette



WC. rosette
T018+T017

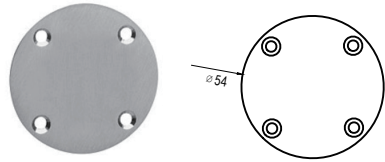


WC. rosette
T019+T024BM

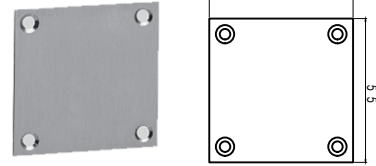


FLUSH PULL

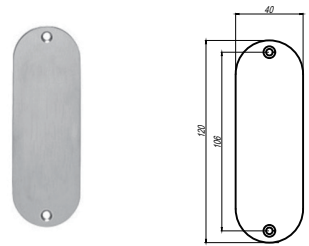
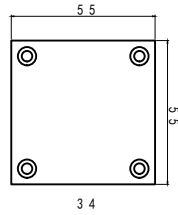




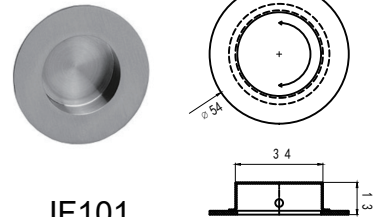
JE101



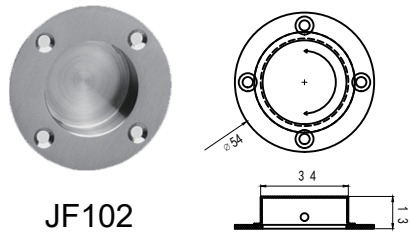
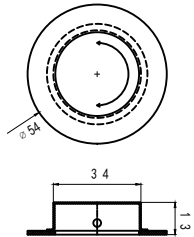
JE102



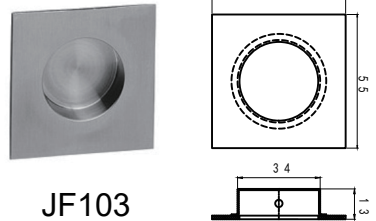
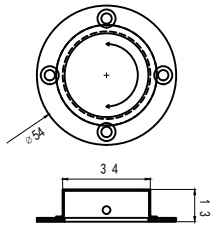
JE103



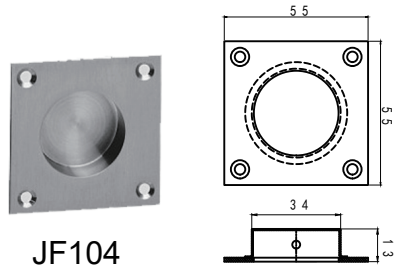
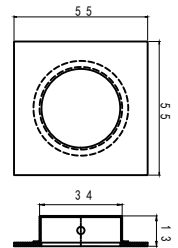
JF101



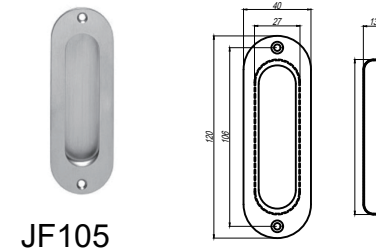
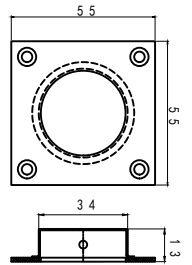
JF102



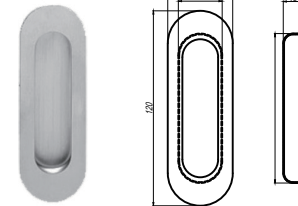
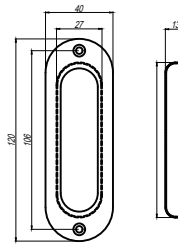
JF103



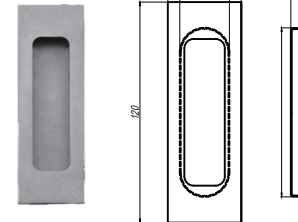
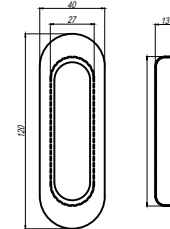
JF104



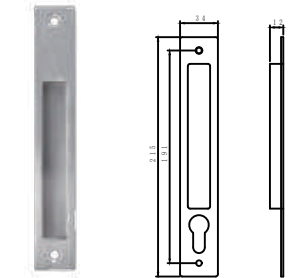
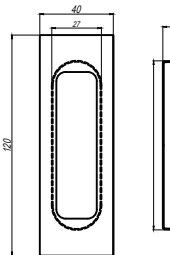
JF105



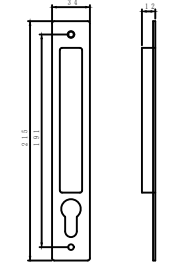
JF106



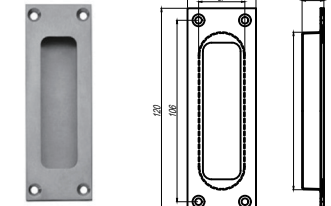
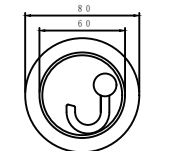
JF108



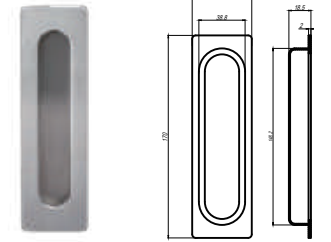
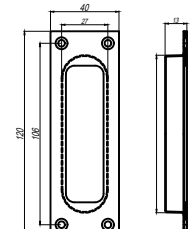
JF110



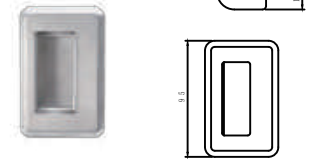
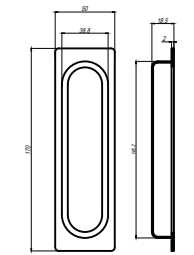
JF120



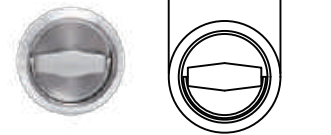
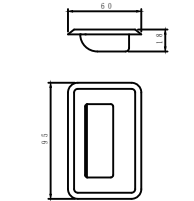
JF107



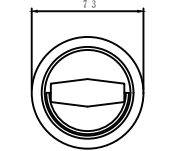
JF109



JF111



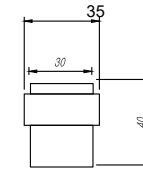
JF121



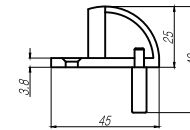
Flush Pull



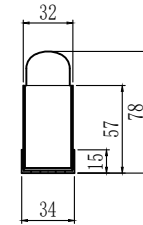
Door Stopper



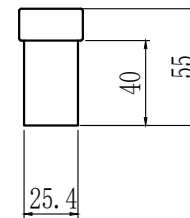
JD301



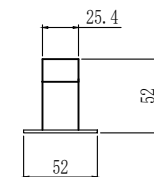
JD303



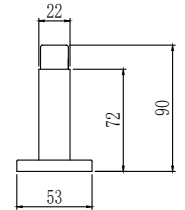
JD306



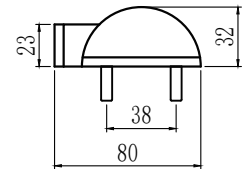
JD309



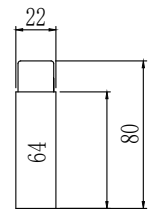
JD314



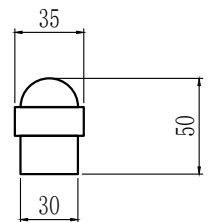
JD302



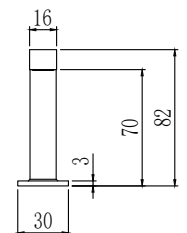
JD304



JD307



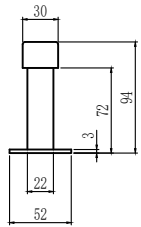
JD311



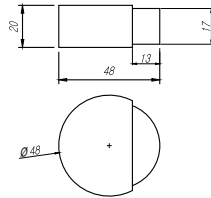
JD320



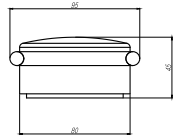
JD314B



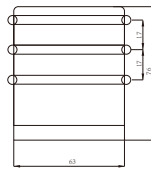
JD322



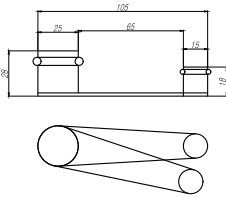
JD310



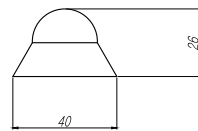
JD319



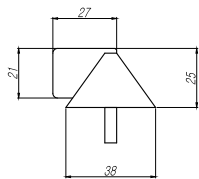
JD312



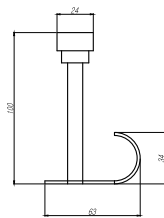
JD313



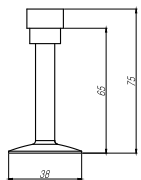
JD315



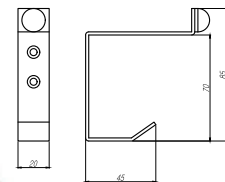
JD316



JD317



JD318



JD330



JD331A



JD331B

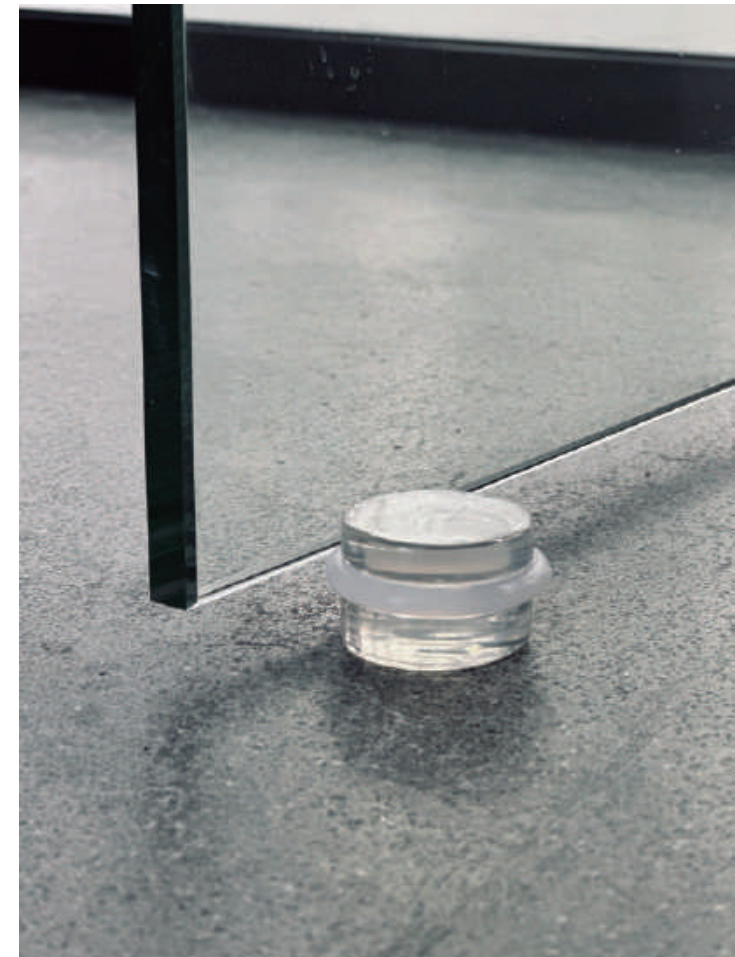


JD332



JD333

Door Stopper

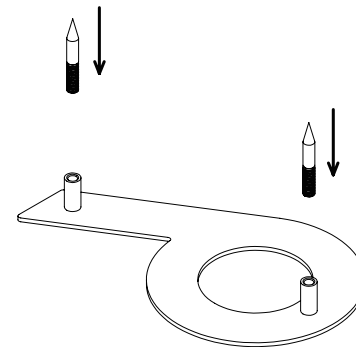




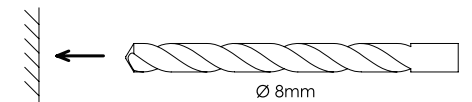
House Number



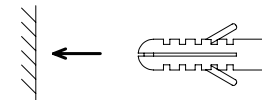
1. draai de meegeleverde pinnen in het huiscijfer



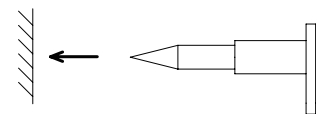
2. Boor gaten van Ø 8mm op de gewenste plaats in de muur. Gebruik hiervoor de boormal.



3. Plaats de meegeleverde pluggen in de geboorde gaten.



4. Plaats het huiscijfer met pinnen in de gaten met pluggen.





Sign



JM101



JM102



JM103



JM105



JM109



JM112



JM107



JM110



JM111



JM104



JM108



JM114



JM401



JM402



JM403



C01

C02

C03

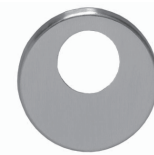
C04

C07

Cover&underbase



C05



C09



D01



D03



D02



D01



F02



F03



F04



F05



F01



F06



Z01



Z04



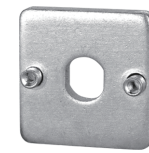
Z02



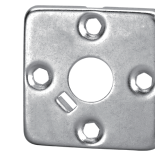
Z05



Z03



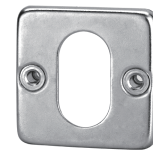
Z09



Z06



Z07



Z08



Z11



Z12



Z13

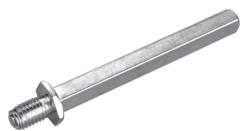


Z10

Fixing



S01



S02



S03



S04



S05



S06



S07



S11



S17



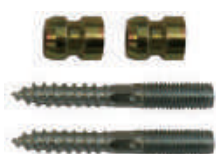
S18



S08



S12



S16



S09



S10



S13



S14



S15

Color selection



- White Matte
- Snow White
- Glossy White
- Polish
- Satin
- Gun Metal
- Gray Mirror
- DUA
- Chrome
- Sand Black
- Glossy Black
- Black Matte
- PVD

- Red 032C
- Warm Red C
- 0331C
- Rose Gold
- Satin Brass
- Mirror Gold
- Antique Copper
- Antique Brass
- Antique Bronze
- Orange 021C
- Green Matte
- Tiffany Blue
- 287C
- 3015C
- 256C